

MED-FIBERS PRODUCT CATALOG



CE 0459





WELCOME TO THE MED-FIBERS CATALOG

OUR SURGICAL FIBERS ARE MADE IN THE USA IN OUR STATE-OF-THE-ART FACILITY

MED-Fibers surgical laser fiber devices are guaranteed compatible for safe and effective use with all FDA approved lasers systems on the market (excluding those with RFID connectors). All devices are FDA cleared. FDA 510(k): K 124003, ISO 13485:2016, CE 0459

Our technicians are selected and trained on an ongoing basis for the understanding of work performance, product handling and the importance of customer satisfaction. We as a team are on a 24/7 stand by for all of your requests, and as your support team to provide you with solutions.

MED-Fibers, Inc. provides you with the highest standard of laser fiber devices with affordable prices and the shortest delivery times on the market. This includes custom made and custom labeled fibers.



Headquarter:

7404 W. Detroit St, # 140
Chandler, AZ 85226, USA
Phone: +1 (480) 598 4090
Fax: +1 (480) 940 1049
Email: info@med-fibers.com

European Representative:

Total-Laser Solution GmbH
Wienerbergstrasse 11/12, Twin
Vienna, AUSTRIA
Phone: +43 01/99460-6995
Email: office@tlasersol.com



MED-FIBERS SURGICAL LASER FIBER MANUFACTURER

Holmium Surgical Laser Fibers	2.
Angle Fire Fiber ®	4.
RadialTip™ Surgical Fibers	6.
CON-CAP Surgical Fibers	8.
Dome Tip Fiber	10.
GrabHold™ Kidney Stone Retrieval Basket	12.
High HZ Connector Laser Fiber™	14.
Absorbing Dark Hole Connector™	16.
Bench Data	18.
Contact	19.



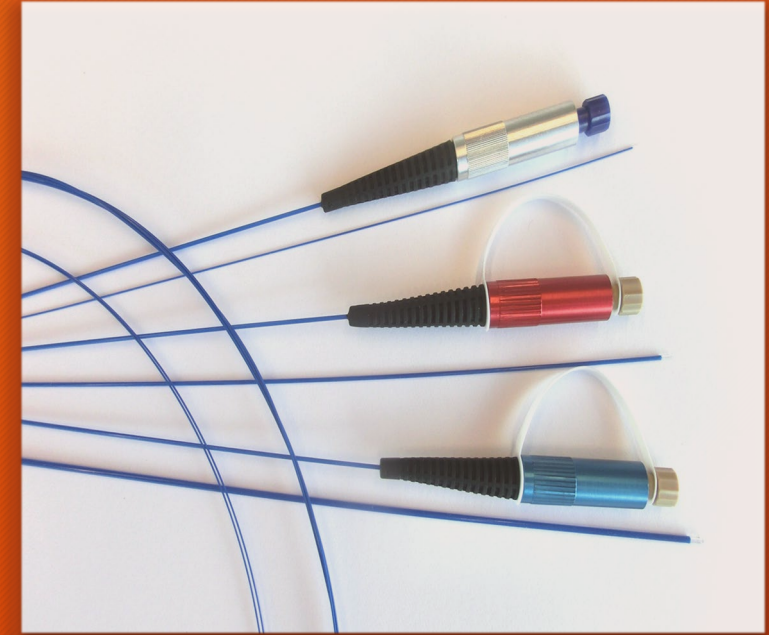
HOLMIUM LASER FIBERS

HOLMIUM LASER FIBER OVERVIEW:

- 220/240 blue jacket fiber, OD 400 micron single use and reusable
- 272/300 blue jacket fiber, OD 450 micron, single use and reusable
- 365/400 blue jacket fiber, OD 580 micron, single use and reusable
- 550/605 blue jacket fiber, OD 780 or 880 micron, single use and reusable
- 600/660 blue jacket fiber, OD 920 micron, single use and reusable
- 800/880 blue jacket fiber, OD 1180 micron, single use and reusable
- 1000/1100 blue jacket fiber, OD 1500 micron, single use and reusable

*Other fibers available upon special request

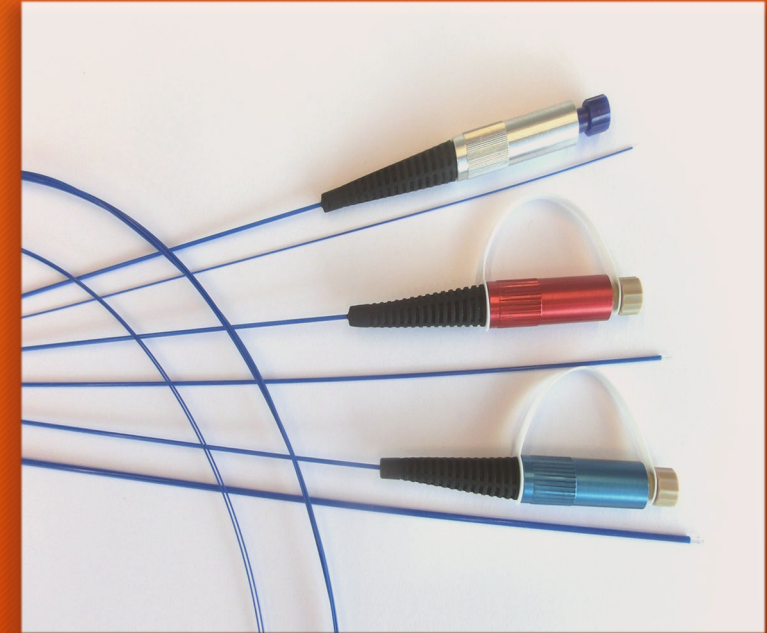
Also different tip configurations like our new DOME TIP FIBERS™ and our EASY FLEX GLIDE FIBER™ atraumatic tip design fiber.



HOLMIUM LASER FIBERS

HOLMIUM LASER FIBER SPECS:

- **MF 200/240 SBT**, silicone / tefzel, blue jacket, n/a 0.22, 3 meters, OD 400 microns, SMA 905 connector, single use or reusable, sterile
- **MF 272/300 SBT**, silicone / tefzel, blue jacket, n/a 0.22, 3 meters, OD 450 microns, SMA 905 connector, single use or reusable, sterile
- **MF 365/400 SBT**, silicone / tefzel, blue jacket, n/a 0.22, 3 meters, OD 580 microns, SMA 905 connector, single use or reusable, sterile
- **MF 550/605 SBT**, silicone / tefzel, blue jacket, n/a 0.22, 3 meters, OD 780 microns, or 880 microns*, SMA 905 connector, single use or reusable, sterile * please specify what OD is requested when ordering
- **MF 600/660 SBT**, silicone / tefzel, blue jacket, n/a 0.22, 3 meters, OD 920 microns, SMA 905 connector, single use or reusable, sterile
- **MF 800/880 SBT**, silicone / tefzel, blue jacket, n/a 0.22, 3 meters, OD 1180 microns, SMA 905 connector, single use or reusable, sterile
- **MF 1000/1100 SBT**, silicone / tefzel, blue jacket, n/a 0.22, 3 meters, OD 1500 microns, SMA 905 connector, single use or reusable, sterile *Other dimensions on special request



ANGLE FIRE FIBER®

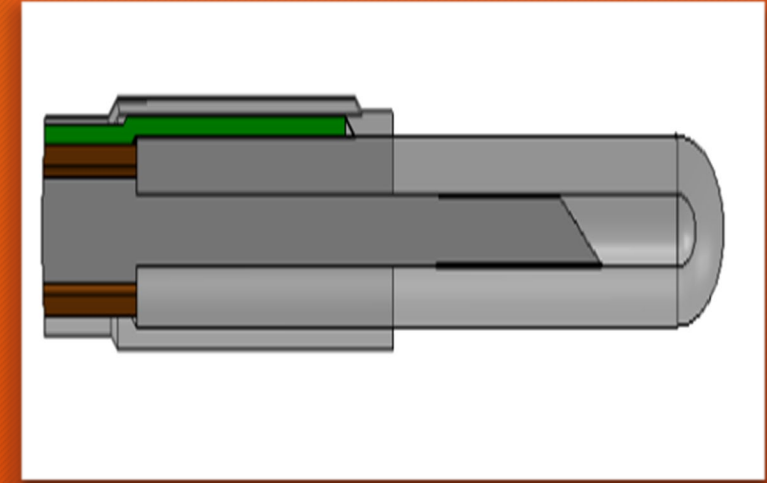
ANGLE FIRE FIBER® OVERVIEW:

- 600/660 natural jacket fiber, OD 1050 micron, single use, damage resistant SMA 905 connector, 2250 micron OD at the tip configuration.

Additional fiber dimensions are possible on special request.

Our BPH (Angle Fire Fiber®) products are designed for an effective and safe Prostate Treatment in Contact or Non-Contact mode with High Power Lasers in all wavelength. Our special fiber tip design performs the surgical procedure faster than flat tip fibers.

The fiber including the tip has also a special design to keep the fiber in permanently control of the surgeon. The design allows an easy gliding on the tissue and can withstand very high energy delivery.

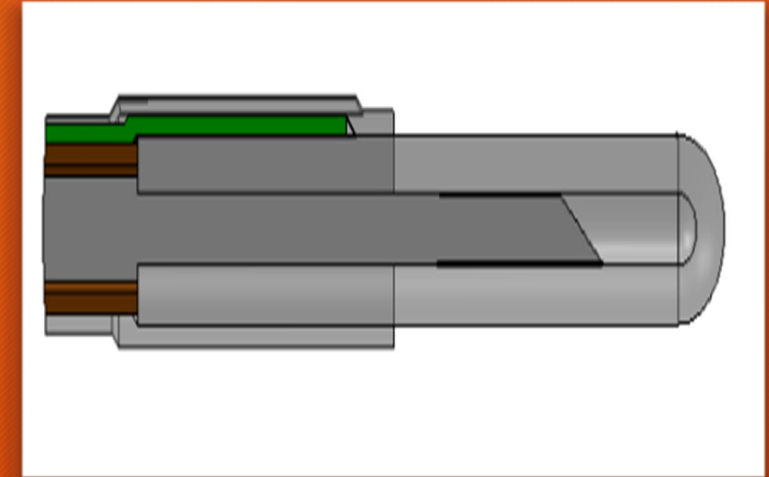


ANGLE FIRE FIBER®

ANGLE FIRE FIBER® SPECS:

- **MF 600/660 HCNN** (hard clad / natural color jacket, n/a 0.22, 3 meters, 1050 OD microns, 2250 micron capillary OD, damage resistant SMA 905 connector, luer lock, single use, sterile

*Additional fiber dimensions are possible on special request.



RADIALTIP® FIBER

RADIALTIP® FIBER OVERVIEW:

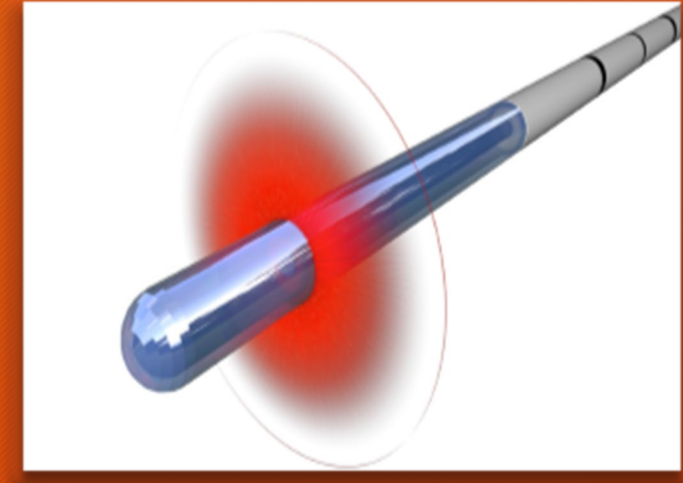
MED-Fiber, Inc. provides you with the following 2 fiber sizes:

- 400 μm with a 1,25 mm capillary
- 600 μm with a 1,65 mm capillary

Our radial emitting fiber combined with 1470 nm lasers have a proven track record in endo venous varices treatments. Other wavelength are used for the same treatment as well, but the proven track record is with 1470 nm Lasers.

Radial fiber procedures have a post-op pain score among lowest in the market yet treat with the known high efficacy of laser treatments. Thanks to the a-traumatic tip and markings on the fiber a 16G venflon or a 5 FR micro introducer suffices for vein access and controlled pull back.

MED-Fibers RadialTip™ Fibers are made in accordance with the highest quality standards. Our RadialTip™ Fibers have all the necessary markings for a safe and proper procedure. The Fibers have a Tuohy Borst Adapter, to fixate the fiber temporary to the IV cannula in case it is used.

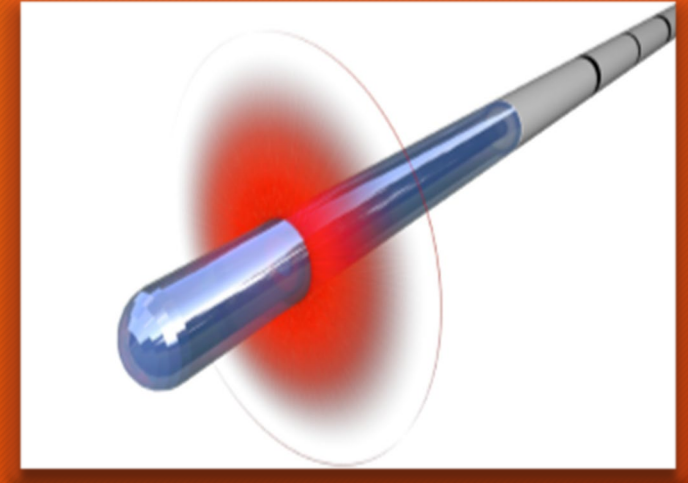


RADIALTIP® FIBER

RADIALTIP® LASER FIBER SPECS:

- **MF 400/440-RM**, hard clad / white nylon jacket, n/a 0.22, 2.5 meters, OD 950 microns, capillary OD 1250 micron, single use, sterile
- **MF 600/630-RM**, hard clad / white nylon jacket, n/a 0.22, 2.5 meters, OD 950 microns, capillary OD 1650 micron, single use, sterile

ALL FIBERS can be delivered with or without Tuohy Borsts (Luer Lock)



CON-CAP SURGICAL FIBERS

CON-CAP SURGICAL FIBER OVERVIEW:

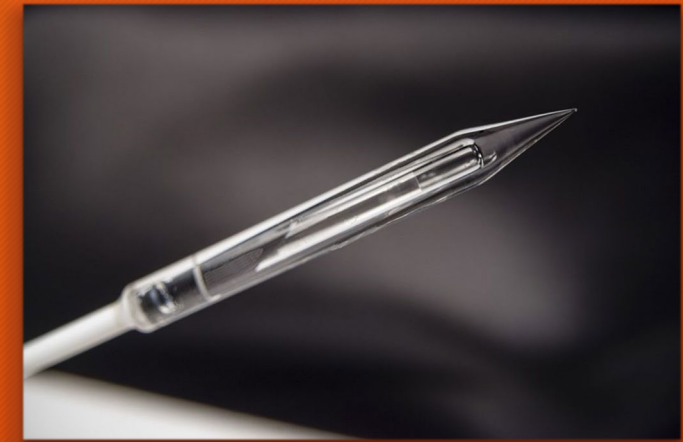
MED-Fiber, Inc. provides you with the following fiber size:

- 600 μm with a 1,65 mm capillary

MED-Fibers CON-CAP Fiber is made in accordance with the highest quality standards.

Our CON-CAP surgical fibers have all the necessary markings for a safe and proper procedure. The fiber has a Touhy Borst Adapter, which enables the temporary fixation of the fiber on the IV cannula, if required. Our straight forward emitting fiber in combination with 1940 nm lasers or 1470 nm lasers has a proven track record in hemorrhoid treatments.

These hemorrhoid procedures achieve a shrinking and fibrilization (of the Hemorrhoid) by restoring the natural anatomical structure. The Hemorrhoid Laser Fiber is used for the laser light based treatment of Hemorrhoids which are one of the most common negative side effects of Urbanization.



CON-CAP SURGICAL FIBER

CON-CAP SURGICAL FIBER SPECS:

- **MF 600/630-RM-CON-CAP**, hard clad / white nylon jacket, n/a 022, 2.5 meters, OD 950 microns, capillary OD 1650 micron, single use, sterile

The fiber can be delivered with or without Luer Lock



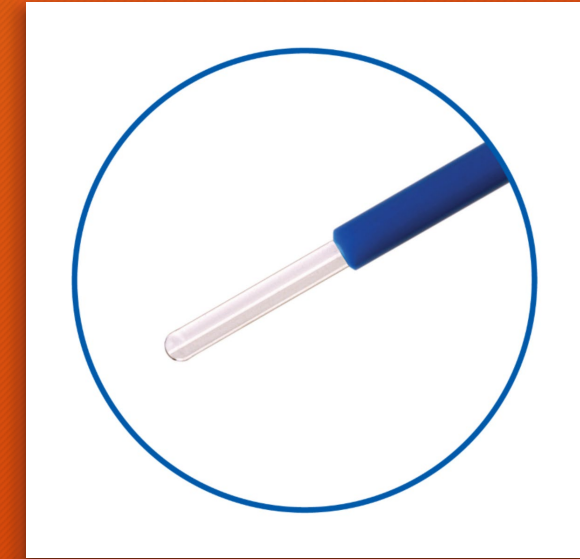
DOME TIP FIBER™

DOME TIP FIBER™ FIBER OVERVIEW:

- 200 Series, blue jacket, OD 430 micron, single use
- 272/300 blue jacket fiber, OD 450 micron, single use
- 365/400 blue jacket fiber, OD 580 micron, single use
- 550/605 blue jacket fiber, OD 780 or 880 micron, single use
- 600/660 blue jacket fiber, OD 920 micron, single use
- 800/880 blue jacket fiber, OD 1180 micron, single use
- 1000/1100 blue jacket fiber, OD 1500 micron, single use

Our DOME TIP FIBER™ atraumatic tip design fiber has the same collimated beam pattern as a flat tip fiber. The energy is transmitted to the stone with almost no losses. Ball tip fibers create an inner reflection in the ball tip and have because of it, a higher energy loss.

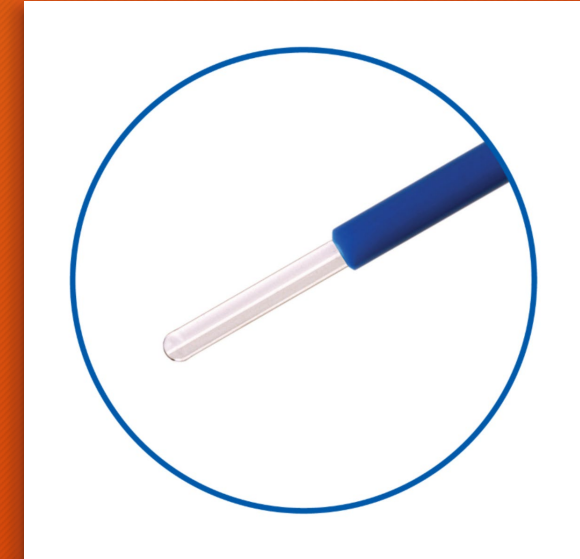
Our additional advantage is providing a greater strength, 200 times higher, to the fiber tip by eliminating micro cracks through melting of the edges (Fire polishing).



DOME TIP FIBER™

DOME TIP FIBER™ FIBER SPECS:

- **MF 200 Series SBT-DT**, silicone / tefzel, blue jacket, n/a 0.22, 3 meters, OD 400 microns, SMA 905 connector, single use, sterile
- **MF 272/300 SBT-DT**, silicone / tefzel, blue jacket, n/a 0.22, 3 meters, OD 450 microns, SMA 905 connector, single use, sterile
- **MF 365/400 SBT-DT**, silicone / tefzel, blue jacket, n/a 0.22, 3 meters, OD 580 microns, SMA 905 connector, single use, sterile
- **MF 550/605 SBT-EF**, silicone / tefzel, blue jacket, n/a 0.22, 3 meters, OD 750 or 880 microns*, SMA 905 connector, single use, sterile * please specify what OD is requested when ordering
- **MF 600/660 SBT-EF**, silicone / tefzel, blue jacket, n/a 0.22, 3 meters, OD 920 microns, SMA 905 connector, single use, sterile
- **MF 800/880 SBT-EF**, silicone / tefzel, blue jacket, n/a 0.22, 3 meters, OD 1180 microns, SMA 905 connector, single use, sterile
- **MF 1000/1100 SBT-EF**, silicone / tefzel, blue jacket, n/a 0.22, 3 meters, OD 1500 microns, SMA 905 connector, single use, sterile



GRABHOLD™ STONE BASKETS

GRABHOLD™ STONE BASKETS OVERVIEW:

AVAILABLE IN NITINOL AND TIPLESS DESIGN

MED-Fiber, Inc. GRABHOLD™ Stone Baskets with its Nitinol and tipless design allows to position the basket directly against the mucosal lining to reduce bleeding, maintain a great and clear working field and reduce trauma.

The memory characteristics of the nitinol wire allows the basket to return to its originally shape when the extractor is developed.

The flexibility of the baskets sheets allows you to fully deflect the ureteroscope during stone manipulation.

The scissor style handle is designed to keep the basket and stone within the focal range of the ureteroscope.



GRABHOLD™ STONE BASKETS

GRABHOLD™ STONE BASKETS SPECS:

AVAILABLE IN NITINOL AND TIPLESS DESIGN

- 1.5FR 4WIRE 120CM NITINOL- TIPLESS
- 1.5FR 4WIRE 120CM NITINOL- TIPLESS, flexible
- 1.7FR 4WIRE 120CM NITINOL- TIPLESS
- 1.7FR 4WIRE 120CM NITINOL- TIPLESS, flexible
- 1.9FR 4WIRE 120CM NITINOL- TIPLESS
- 1.9FR 4WIRE 120CM NITINOL- TIPLESS, flexible
- 2.2FR 4WIRE 120CM NITINOL- TIPLESS
- 2.2FR 4WIRE 120CM NITINOL- TIPLESS, flexible
- 2.4FR 4WIRE 120CM NITINOL- TIPLESS,
- 2.4FR 4WIRE 120CM NITINOL- TIPLESS, flexible

*All the products are single use and sterile



HHZ CONNECTOR LASER FIBER™

HHZ CONNECTOR LASER FIBER™ OVERVIEW:

MED-Fiber, Inc. HHZ Connector Laser Fiber™ is primarily used with our fiber sizes:

- 150/180, blue jacket fiber, OD 350 micron, single use or reusable
- 200/240, blue jacket fiber, OD 400 micron, single use or reusable
- 272/300, blue jacket fiber, OD 450 micron, single use or reusable
- 230/276, blue jacket fiber, OD 400 micron, single use or reusable
- 365/400, blue jacket fiber, OD 580 micron, single use or reusable
- 550/600, blue jacket fiber, OD 750 micron, single use or reusable
- 1000/1100, blue jacket fiber, OD 1450 micron, single or and reusable

Our HHZ Connector Laser Fiber™ is designed to deliver Energy in lithotripsy with or without flexible ureteroscopes. With its special designed connector, it withstands like NO other fiber high Hz procedures for stone dusting or stone fragmentation. All of those fibers have with its special buffer coating (silicone) the advantage, that no laser energy can couple out in a bend radius and prevents through that, fiber breakage and scope damage.

The fibers so far are tested up to 100 Hz in all dimensions available. An additional huge advantage compared to other products on the market is, its centricity and placement of the fiber within the connector which absorbs energy within its special coated parts surrounding the proximal end of the fiber.



HHZ CONNECTOR LASER FIBER™

HHZ CONNECTOR LASER FIBER™ SPECS:

- **MF 150/180**, hard clad / blue tefzel jacket, n/a 0.22, 3 meters, OD 350 microns, Single use or reusable, sterile
- **MF 200/240**, silicone / blue tefzel jacket, n/a 0.22, 3 meters, OD 400 microns, single use or reusable, sterile
- **MF 272/300**, silicone / blue tefzel jacket, n/a 0.22, 3 meters, OD 450 microns, single use or reusable, sterile
- **MF 230/276**, silicone / blue tefzel jacket, n/a 0.22, 3 meters, OD 400 microns, single use or reusable, sterile * this fiber size on special order only
- **MF 365/400**, silicone / blue tefzel jacket, n/a 0.22, 3 meters, OD 580 microns, single use or reusable, sterile
- **MF 550/600**, hard clad / blue tefzel jacket, n/a 0.22, 3 meters, OD 750 microns, single use or reusable, sterile
- **MF 1000/11000**, hard clad / blue tefzel, n/a 0.22, 3 meters, OD 1450 microns, single use or reusable, sterile



ABSORBING DARK HOLE CONNECTOR®

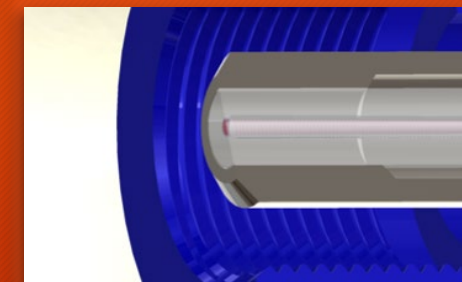
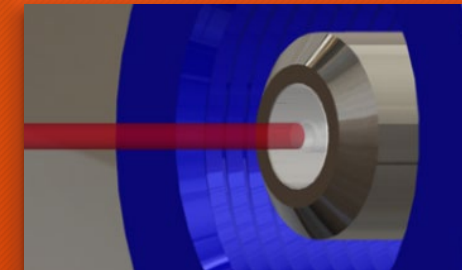
ABSORBING DARK HOLE CONNECTOR® OVERVIEW:

- 200/240, blue jacket fiber, OD 400 micron, single use
- 230/276, blue jacket fiber, OD 400 micron, single use
- 272/300 blue jacket fiber, OD 450 micron, single use
- 365/400 blue jacket fiber, OD 580 micron, single use

Our ABSORBING DARK HOLE CONNECTOR® fibers are designed for Absorbing Energy in lithotripsy, our Dark Hole Connector® fiber blocks the clinically useless laser modes that predispose fibers to burn-through.

In rejecting damaging rays, our Absorbing Dark Hole Connector® safely affords greater flexure under power than standard fibers. This fiber type protects your laser and combined with the DomeTip® configuration, you make it safe for scopes. Our Absorbing Dark Hole Connector® Fibers excludes high angle rays from entering the fiber.

*Standard Holmium Fibers are using in the most cases High Power connectors which are only rejecting spatial overfill to reduce the damage to the connector, but this does nothing to protect the fiber from burn through angular overfill. Angular overfill is overfilling the maximum angle that the fiber can support in total internal reflection.



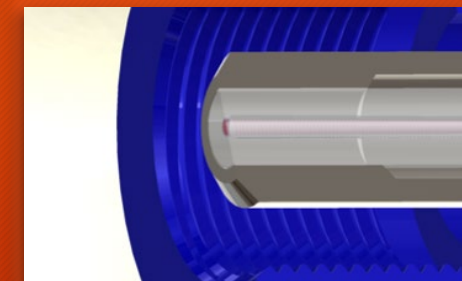
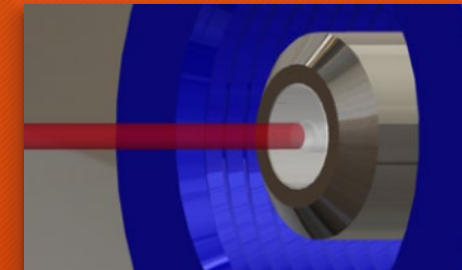
DESIGNED FOR ABSORBING ENERGY

ABSORBING DARK HOLE CONNECTOR®

ABSORBING DARK HOLE CONNECTOR® SPECS:

- **MF 200 Series HCBT**, hard clad / tefzel, blue jacket, n/a 0.22, 3 meters, OD 400 microns, Absorbing Dark Hole SMA 905 connector, single use, sterile
- **MF 230/276 HCBT**, hard clad / blue tefzel jacket, n/a 0.22, 3 meters, OD 420 microns, Absorbing Dark Hole SMA 905 connector, single use, sterile
- **MF 272/300 HCBT**, hard clad / tefzel, blue jacket, n/a 0.22, 3 meters, OD 450 microns, Absorbing Dark Hole SMA 905 connector, single use, sterile
- **MF 365/400 HCBT**, hard clad / tefzel, blue jacket, n/a 0.22, 3 meters, OD 580 microns, Absorbing Dark Hole SMA 905 connector, single use, sterile

Products can be made single use or reusable
Additional and or other fiber dimensions are on special request.
All fibers are also available in N/A 0.26 and 0.28.



DESIGNED FOR ABSORBING ENERGY

MED-FIBERS PRODUCT BENCH DATA

MED-FIBERS Laser Fiber Dimensions	Core	Cladding	Outer Dimension (OD)	Power Rating (Watt)	Hertz Rating
MF 150 HHz™	150	180	350	35	Up to 100 Hz
MF 200 HHz™	200	240	400	50	Up to 100 Hz
MF 200 DH™	200	240	400	50	Up to 60 Hz
MF 230 HHz™	230	276	400	50	Up to 100 Hz
MF 242 HHz™	242	290	450	50	Up to 100 Hz
MF 272 HHz™	272	300	450	60	Up to 100 Hz
MF 272Flexx Trak™	272	300	450	50	Up to 60 Hz
MF 272 DH™	272	300	450	50	Up to 60 Hz
MF 365 HHz™	365	400	580	150	Up to 100 Hz
MF 550 HHz™	550	600	750	300	Up to 100 Hz
MF 1000 HHz™	1000	1100	1450	300	Up to 100 Hz



CONTACT MED-FIBERS

- **Technical Support :** +1 (480) 598 4090 ext. 311
- **Clinical Support:** +1 (480) 598 4090 ext. 301
- **Quality Department:** +1 (480) 598 4090 ext. 304
- **Financial Department:** +1 (480) 598 4090 ext. 302
- **Administration:** +1 (480) 598 4090 ext. 303



Headquarter:

7404 W. Detroit St, # 140
Chandler, AZ 85226, USA
Phone: +1 (480) 598 4090
Fax: +1 (480) 940 1049
Email: info@med-fibers.com

European Representative:

Total-Laser Solution GmbH
Wienerbergstrasse 11/12, Twin
Vienna, AUSTRIA
Phone: +43 01/99460-6995
Email: office@tlasersol.com